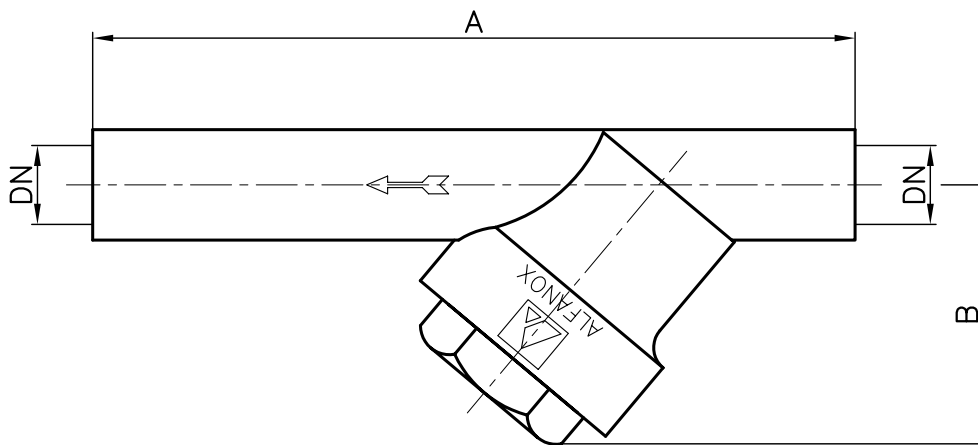


**STAINLESS STEEL
BUTT WELDED & FLANGED
FREE FLOW / FILTER**

SERIES : 390



APPLICATION

Filter for inert and corrosive liquids and gases.

DIMENSION

DN 15 (1/2") / DN 50 (2")

OPERATING FEATURES

Operating temperature : -10°C / 180°C

DN		A	B	Kv	WEIGHT (KG)
15	1/2"	145	51	4,9	0,55
20	3/4"	145	57	7,6	0,65
25	1"	155	66	13,7	0,75
32	1 1/4"	175	78	20,7	0,95
40	1 1/2"	195	88	34,2	1,90
50	2"	225	104	48,6	2,55



ALFANOX

ORDER CODES / SPARE PARTS

SERIES : 390

DIMENSION - DN	
015	DN 15
020	DN 20
025	DN 25
032	DN 32
040	DN 40
050	DN 50

BODY ATTACHMENTS	
00	Without flange
21	PN06 Flanged
22	PN10 Flanged
23	PN16 Flanged

390	Z		000	ZZ	
-----	---	--	-----	----	--

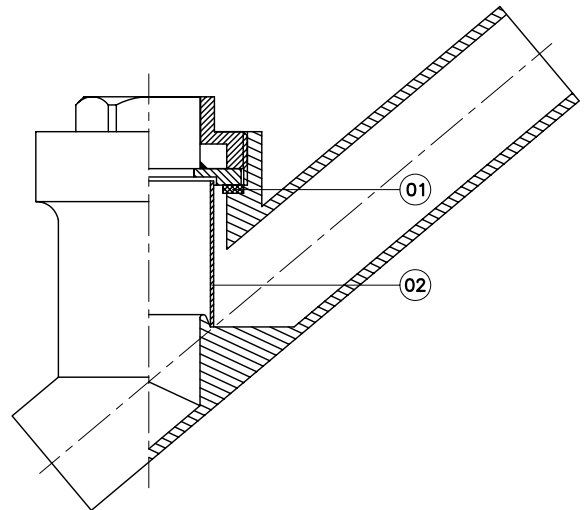
EXAMPLE

390	Z	032	000	ZZ	21
-----	---	-----	-----	----	----

Series 390

DN 32

PN 06 Flanged



All spare parts are available directly from the stocks.
Please inform the code number of the material required from the following chart (i.e. CGT 020, FLB 040,)

PART NO	PART NAME	MATERIAL	VALVE DIMENSION					
			DN 15	DN 20	DN 25	DN 32	DN 40	DN 50
01	BODY SEALING GASKET	PTFE	CGT 015	CGT 020	CGT 025	CGT 032	CGT 040	CGT 050
02	FILTER PIPE	INOX	FLB 015	FLB 020	FLB 025	FLB 032	FLB 040	FLB 050



ALFANOX