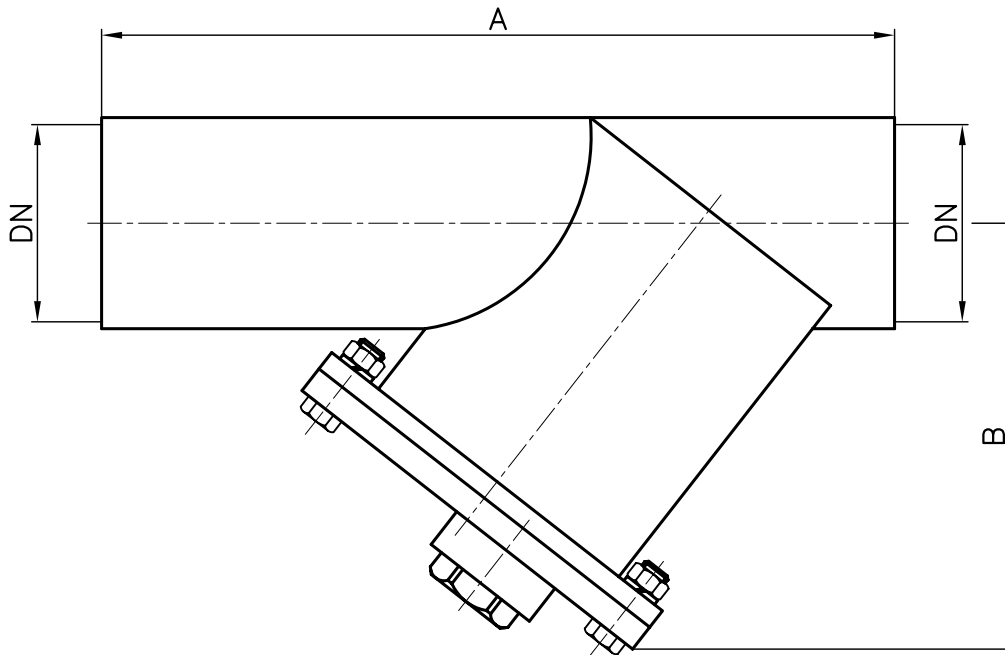


**STAINLESS STEEL
BUTT WELDED & FLANGED
FREE FLOW / FILTER**

SERIES : 391



APPLICATION

Filter for inert and corrosive liquids and gases.

DIMENSION

DN 65 (2 1/2") / DN 150 (6")

OPERATING FEATURES

Operating temperature : -10°C / 180°C

DN		A	B	Kv	WEIGHT (KG)
65	2 1/2"	286	150	84	4,30
80	3"	306	185	126	5,40
100	4"	345	210	197	9,15
125	5"	395	250	308	12,80
150	6"	475	285	445	18,20



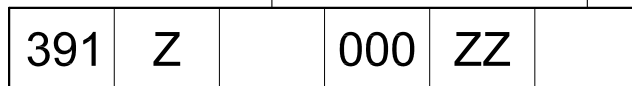
ALFANOX

ORDER CODES / SPARE PARTS

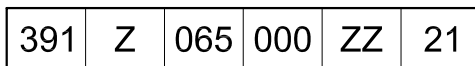
SERIES : 391

DIMENSION - DN	
065	DN 65
080	DN 80
100	DN 100
125	DN 125
150	DN 150

BODY ATTACHMENTS	
00	Without flange
21	PN06 Flanged
22	PN10 Flanged
23	PN16 Flanged



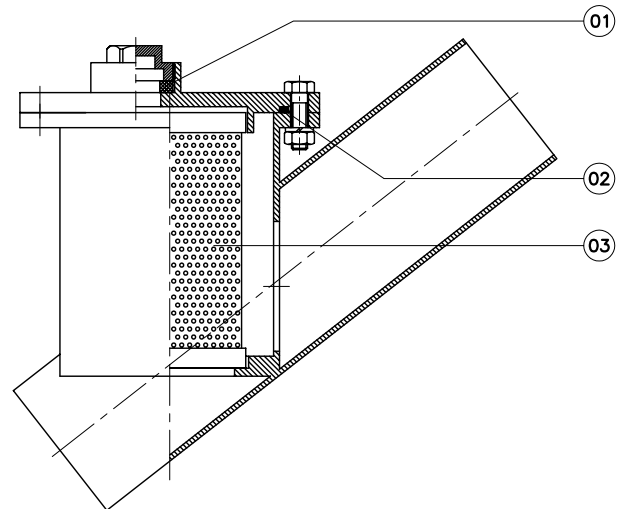
EXAMPLE



Series 391

DN 65

PN 06 Flanged



All spare parts are available directly from the stocks.
Please inform the code number of the material required from the following chart (i.e. CGC 020, FLB 125,)

PART NO	PART NAME	MATERIAL	VALVE DIMENSION				
			DN 65	DN 80	DN 100	DN 125	DN 150
01	DRAIN TAP GASKET	PTFE	CGC 015	CGC 020	CGC 025		CGC 032
02	COVER O-RING	NBR	ORN 110	ORN 125	ORN 160	ORN 200	ORN 230
		SILICONE	ORS 110	ORS 125	ORS 160	ORS 200	ORS 230
03	FILTER PIPE	INOX	FLB 065	FLB 080	FLB 100	FLB 125	FLB 150



ALFANOX