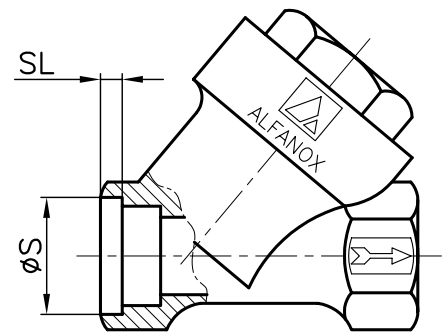
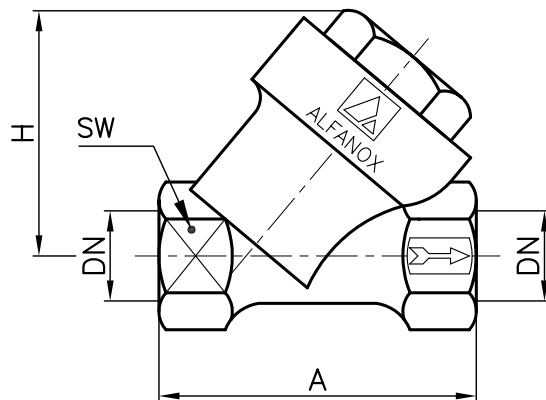


**STAINLESS STEEL
THREADED & SOCKET WELDED
FREE FLOW / CHECK VALVE**

SERIES : 480



SOCKET WELDED

APPLICATION

Check-valve for inert and corrosive liquids and gases.
Valve closes against flow direction by spring - action (NC)

DIMENSION

DN 15 (1/2") / DN 50 (2")

OPERATING FEATURES

Operating pressure (Δp) : 0,3 bar pressure - differential is necessary for its operation.
Operating temperature : -10°C / 180°C

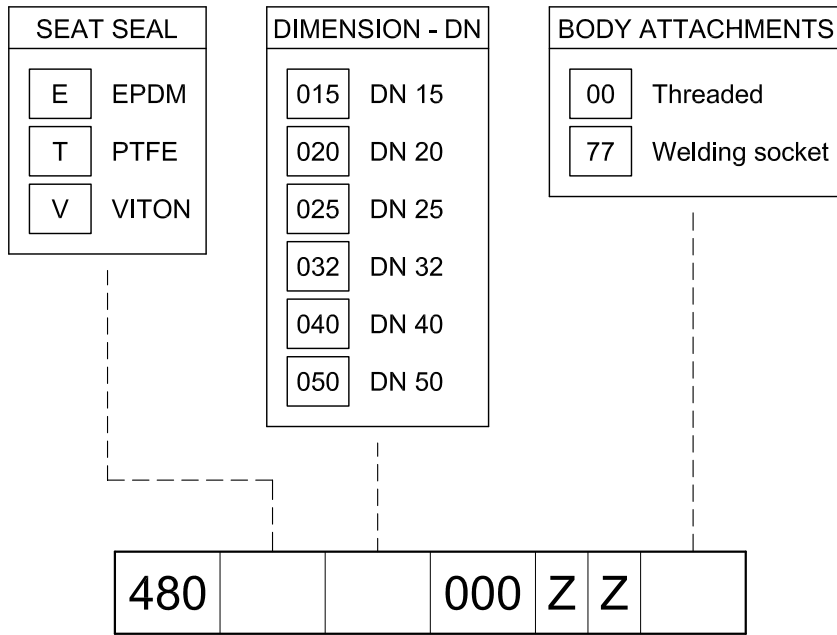
DN		A	H	SW	ØS	SL	Kv	WEIGHT (KG)
15	1/2"	65	51	27	21,6	3	4,9	0,45
20	3/4"	75	57	32	27	3	7,6	0,60
25	1"	90	66	39	33,7	3	13,7	0,70
32	1 1/4"	110	78	50	42,8	4	20,7	1,10
40	1 1/2"	120	88	55	48,8	4	34,2	1,70
50	2"	150	104	68	60,8	4	48,6	2,70



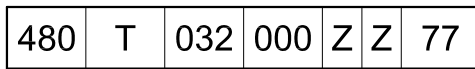
ALFANOX

ORDER CODES / SPARE PARTS

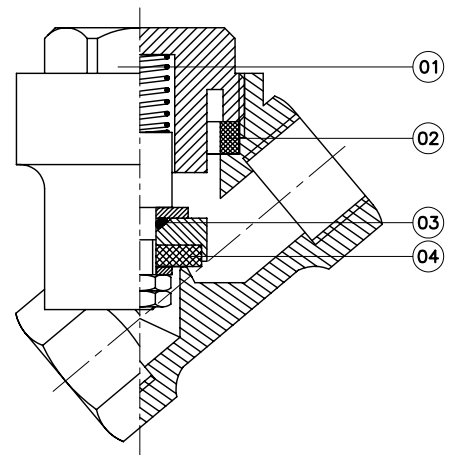
SERIES : 480



EXAMPLE



Series 480
 Seat seal : PTFE
 DN 32
 Welding socket



All spare parts are available directly from the stocks.
 Please inform the code number of the material required from the following chart (i.e. CGC 020, KET 032,)

PART NO	PART NAME	MATERIAL	VALVE DIMENSION					
			DN 15	DN 20	DN 25	DN 32	DN 40	DN 50
01	SPRING	INOX	YPC 030			YPC 035		YPC 040
02	BODY SEALING GASKET	PTFE	CGC 015	CGC 020	CGC 025	CGC 032	CGC 040	CGC 050
03	SEALING GASKET	PTFE	MUT 006			MUT 008		
04	SEAT SEAL	EPDM	KEE 015	KEE 020	KEE 025	KEE 032	KEE 040	KEE 050
		PTFE	KET 015	KET 020	KET 025	KET 032	KET 040	KET 050
		VITON	KEV 015	KEV 020	KEV 025	KEV 032	KEV 040	KEV 050



ALFANOX