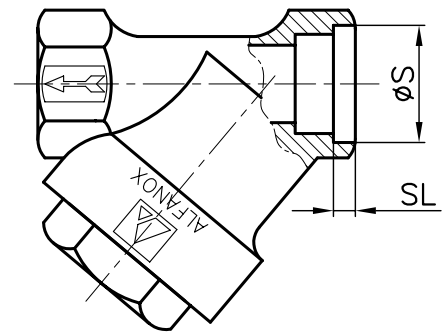
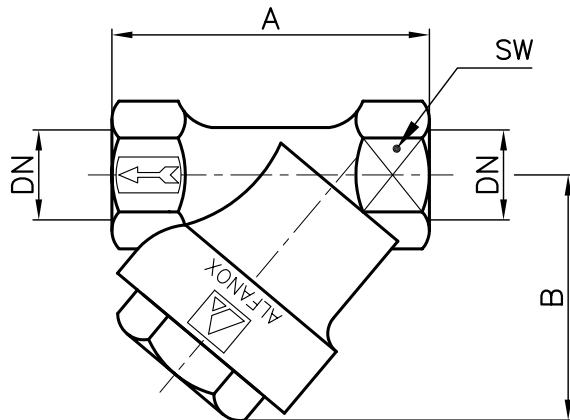


**STAINLESS STEEL
THREADED & SOCKET WELDED
FREE FLOW / FILTER**

SERIES : 490



SOCKET WELDED

APPLICATION

Filter for inert and corrosive liquids and gases.

DIMENSION

DN 15 (1/2") / DN 50 (2")

OPERATING FEATURES

Operating temperature : -10°C / 180°C

DN		A	B	SW	ØS	SL	Kv	WEIGHT (KG)
15	1/2"	65	51	27	21,6	3	4,9	0,45
20	3/4"	75	57	32	27	3	7,6	0,60
25	1"	90	66	39	33,7	3	13,7	0,70
32	1 1/4"	110	78	50	42,8	4	20,7	1,10
40	1 1/2"	120	88	55	48,8	4	34,2	1,70
50	2"	150	104	68	60,8	4	48,6	2,70



ALFANOX

ORDER CODES / SPARE PARTS

SERIES : 490

DIMENSION - DN	
015	DN 15
020	DN 20
025	DN 25
032	DN 32
040	DN 40
050	DN 50

BODY ATTACHMENTS	
00	Threaded
77	Welding socket

490	Z		000	ZZ	
-----	---	--	-----	----	--

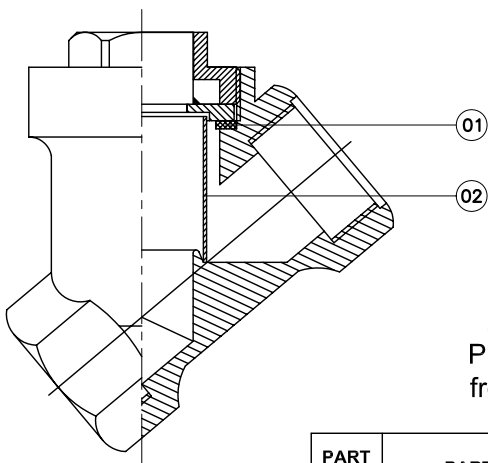
EXAMPLE

490	Z	025	000	ZZ	00
-----	---	-----	-----	----	----

Series 490

DN 25

Threaded



All spare parts are available directly from the stocks.
Please inform the code number of the material required from the following chart (i.e. CGT 020, FLB 040,)

PART NO	PART NAME	MATERIAL	VALVE DIMENSION					
			DN 15	DN 20	DN 25	DN 32	DN 40	DN 50
01	BODY SEALING GASKET	PTFE	CGT 015	CGT 020	CGT 025	CGT 032	CGT 040	CGT 050
02	FILTER PIPE	INOX	FLB 015	FLB 020	FLB 025	FLB 032	FLB 040	FLB 050



ALFANOX