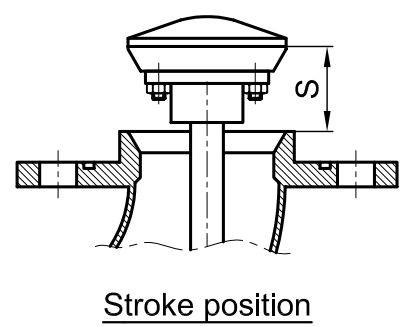
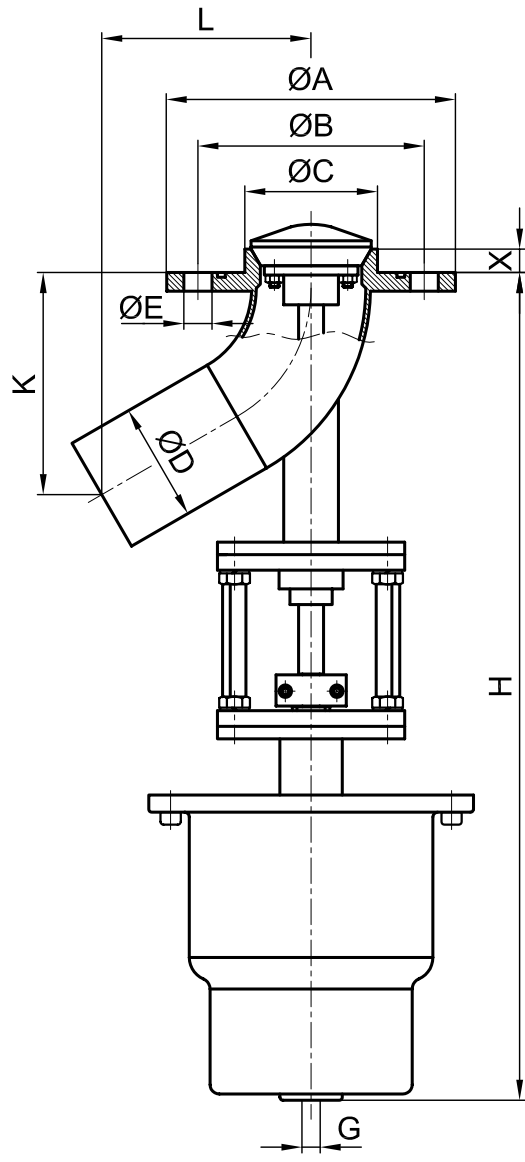


**STAINLESS STEEL  
BUTT WELDED ENDS & FLANGED  
PNEUMATIC ON-OFF TANK BOTTOM VALVE  
OPENING INTO TANK TYPE**



DN		PISTON	ØA	ØB	ØC	ØD	ØE	Holes	H	K	L	X	G	S
25	1"		Ø 100	115	85	50	33.7	14	4	360	87	97	14	G 1/8"
32	1 1/4"	140		100	57	42.4	18	4	375	100	110	14	G 1/8"	30
40	1 1/2"	150		110	60	48.3	18	4	410	108	115	14	G 1/8"	30
50	2"	165		125	75	60.3	18	4	430	125	125	14	G 1/8"	30
65	2 1/2"	Ø 150	185	145	85	76.1	18	4	530	142	135	16	G 1/4"	40
80	3"		200	160	102	88.9	18	8	550	161	145	16	G 1/4"	40
100	4"		220	180	122	114.3	18	8	585	194	165	16	G 1/4"	40
125	5"		250	210	152	139.7	18	8	620	227	180	16	G 1/4"	40
150	6"		285	240	177	168.3	22	8	655	260	200	16	G 1/4"	40

NOTE : Should be indicated if it is required different size of "X"



**ALFANOX**