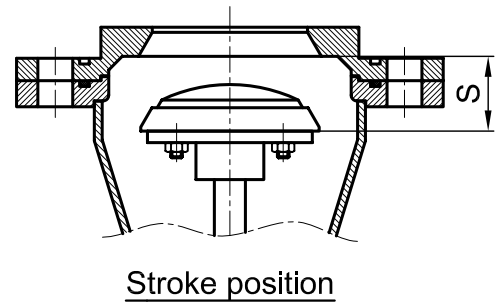
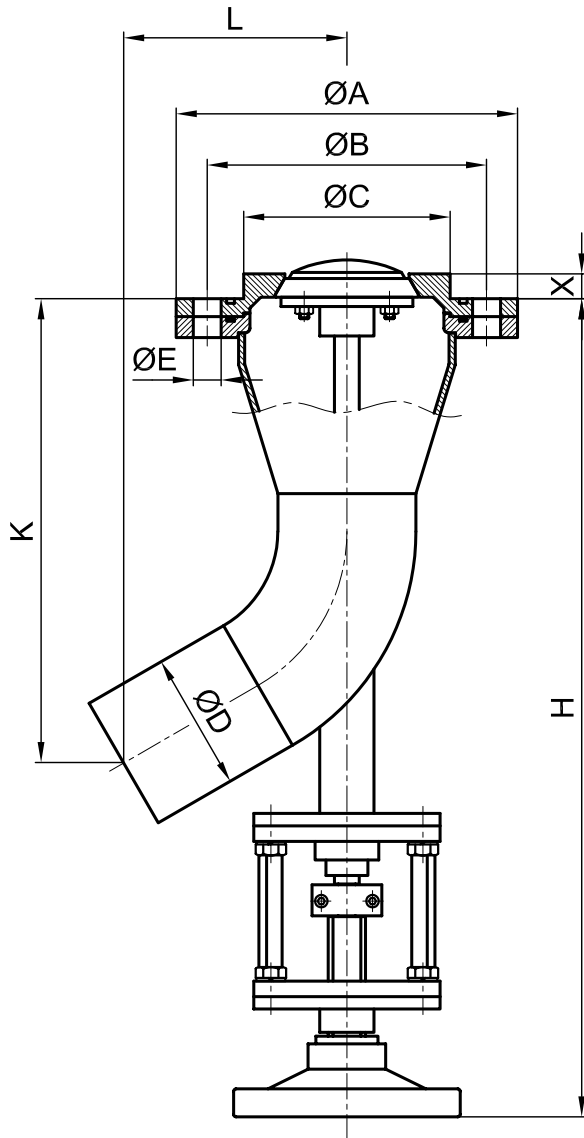


**STAINLESS STEEL
BUTT WELDED ENDS & FLANGED
MANUAL OPERATED TANK BOTTOM VALVE
OPENING INTO VALVE**



DN		ØA	ØB	ØC	ØD	ØE	Holes	H	K	L	X	S
25	1"	140	100	57	33.7	14	4	385	175	97	14	30
32	1 1/4"	150	110	70	42.4	18	4	405	200	110	14	30
40	1 1/2"	165	125	75	48.3	18	4	415	210	115	14	30
50	2"	185	145	90	60.3	18	4	425	225	125	14	30
65	2 1/2"	200	160	108	76.1	18	8	485	255	135	16	40
80	3"	220	180	133	88.9	18	8	530	300	145	16	40
100	4"	250	210	158	114.3	18	8	575	345	165	16	40
125	5"	285	240	188	139.7	22	8	590	355	180	16	40
150	6"	340	295	228	168.3	22	12	660	465	200	16	40

NOTE : Should be indicated if it is required different size of "X"



ALFANOX