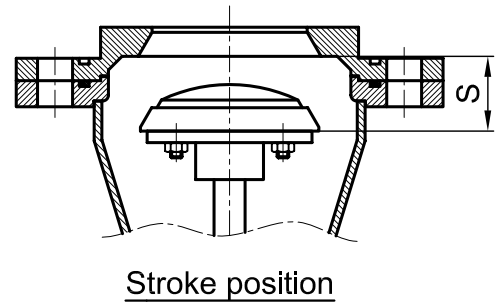
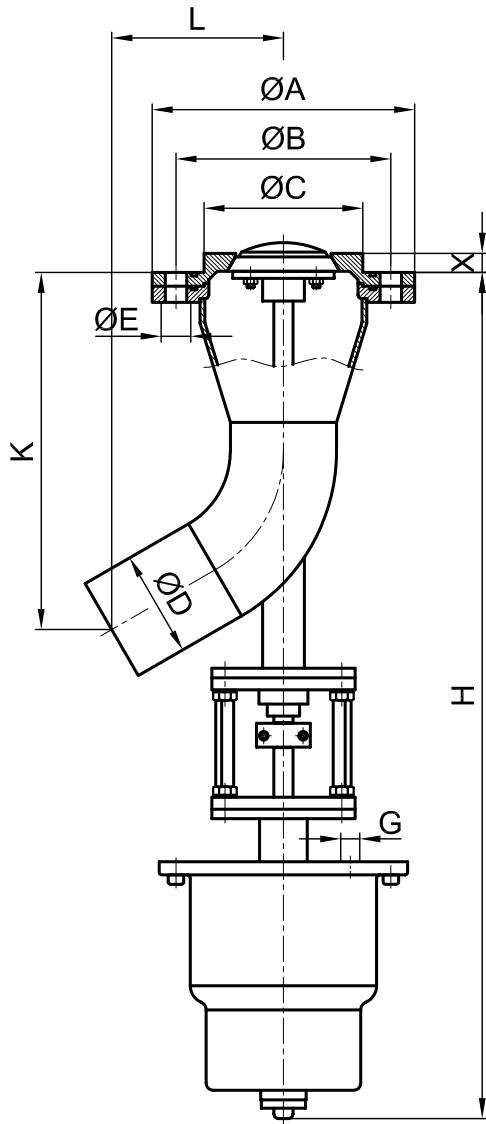


**STAINLESS STEEL
BUTT WELDED ENDS & FLANGED
PNEUMATIC ON-OFF TANK BOTTOM VALVE
OPENING INTO VALVE**



DN		PISTON	ØA	ØB	ØC	ØD	ØE	Holes	H	K	L	X	G	S
25	1"		Ø 100	140	100	57	33.7	14	4	500	175	97	14	G 1/8"
32	1 1/4"	150		110	70	42.4	18	4	520	200	110	14	G 1/8"	30
40	1 1/2"	165		125	75	48.3	18	4	530	210	115	14	G 1/8"	30
50	2"	185		145	90	60.3	18	4	540	225	125	14	G 1/8"	30
65	2 1/2"	Ø 150	200	160	108	76.1	18	8	665	255	135	16	G 1/4"	40
80	3"		220	180	133	88.9	18	8	710	300	145	16	G 1/4"	40
100	4"		250	210	158	114.3	18	8	755	345	165	16	G 1/4"	40
125	5"		285	240	188	139.7	22	8	765	355	180	16	G 1/4"	40
150	6"		340	295	228	168.3	22	12	840	465	200	16	G 1/4"	40

NOTE : Should be indicated if it is required different size of "X"



ALFANOX